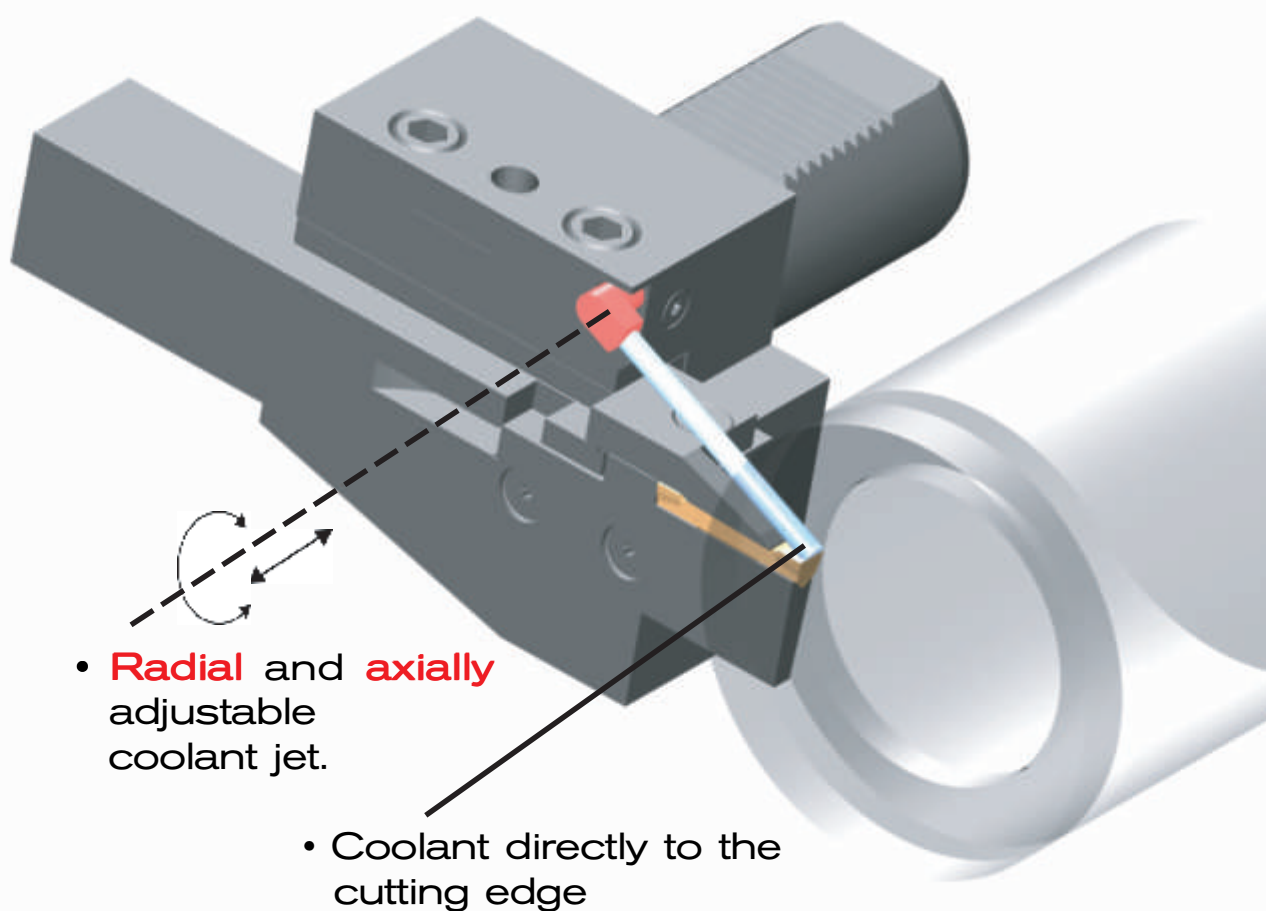


# Keep Cool

with ARNO - VDI Tool holders

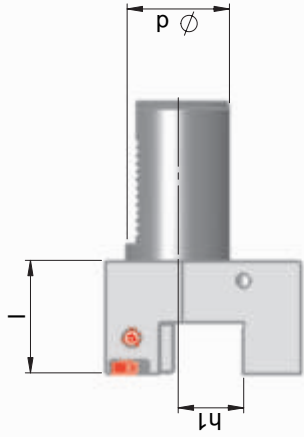


- **Radial** and **axially** adjustable coolant jet.

- Coolant directly to the cutting edge

- Through Tool coolant for improved tool life.
- For all groove and part-off tools.
- Available in many versions ( see back page ).

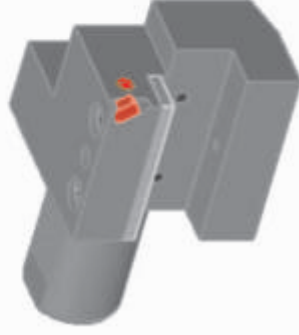
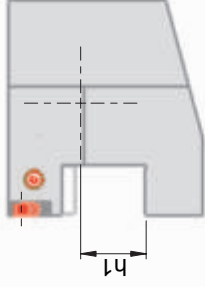
# DIN 69 880



**B1**

Designation	d	h1	l
KMH01-B1-16x12x24	16	12	24
KMH01-B1-20x16x30	20	16	30
KMH01-B1-25x16x30	25	16	30
KMH01-B1-30x20x40*	30	20	40
KMH01-B1-40x25x44	40	25	44
KMH01-B1-50x32x55	50	32	55

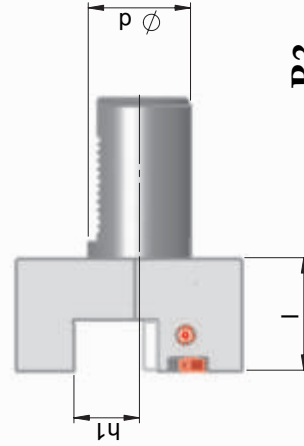
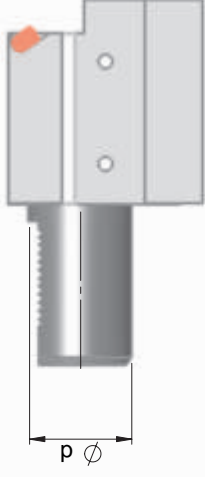
\* = Ex stock / other tools approx 8 weeks delivery



**C2**

Designation	d	h1
KMH01-C2-16x12	16	12
KMH01-C2-20x16	20	16
KMH01-C2-25x16*	25	16
KMH01-C2-30x20	30	20
KMH01-C2-40x25	40	25
KMH01-C2-50x32	50	32

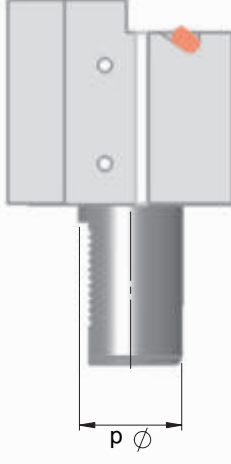
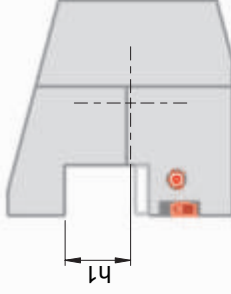
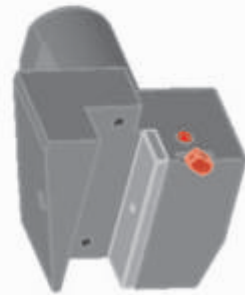
\* = Ex stock / other tools approx 8 weeks delivery



**B3**

Designation	d	h1	l
KMH01-B3-16x12x24	16	12	24
KMH01-B3-20x16x30	20	16	30
KMH01-B3-25x16x30	25	16	30
KMH01-B3-30x20x40*	30	20	40
KMH01-B3-40x25x44	40	25	44
KMH01-B3-50x32x55	50	32	55

\* = Ex stock / other tools approx 8 weeks delivery



**C4**

Designation	d	h1
KMH01-C4-16x12	16	12
KMH01-C4-20x16	20	16
KMH01-C4-25x16*	25	16
KMH01-C4-30x20	30	20
KMH01-C4-40x25	40	25
KMH01-C4-50x32	50	32

\* = Ex stock / other tools approx 8 weeks delivery

